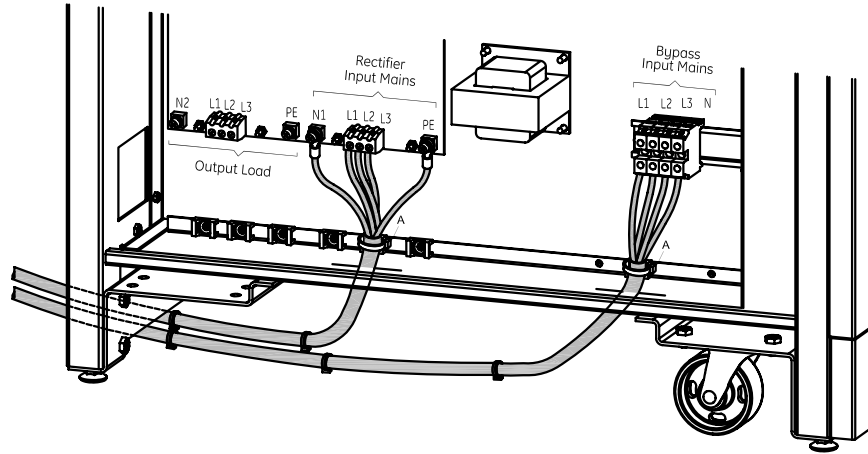
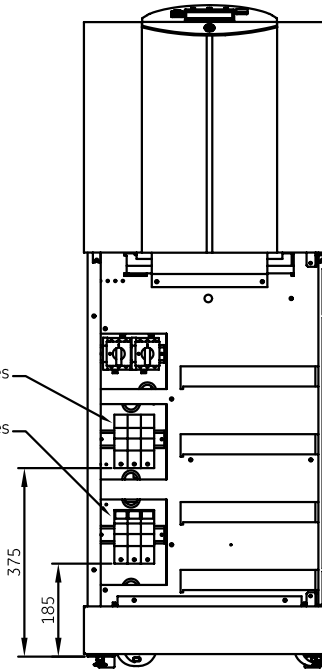


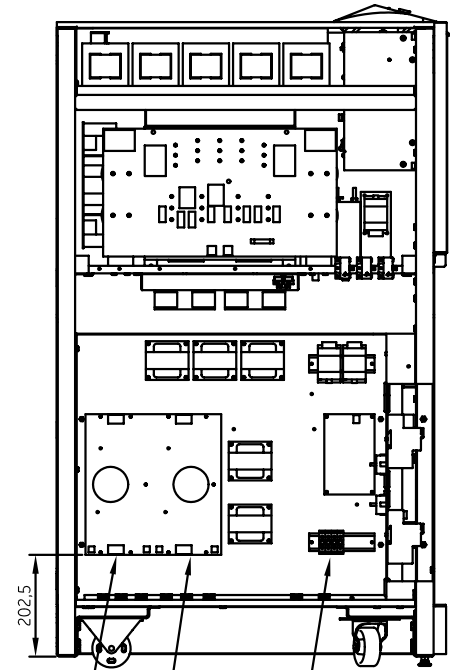
DETAIL TERMINAL BLOCK CONN.



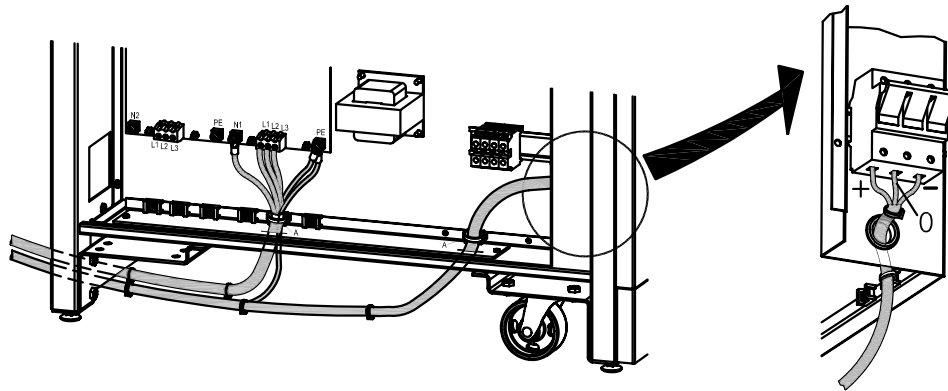
FRONT VIEW WITH SAFETY PANEL REMOVED



LEFT VIEW WITH LATERAL SIDE COVER REMOVED



DETAIL DC (BATTERY) CONN.



Load output terminal block
Rectifier Input terminal block
Bypass Input terminal block

NOTE:
1) DIMENSIONS ARE IN MM

MAX CABLE DIA. FOR TERMINAL BLOCK REFER TO MANUAL FOR TORQUE SPECS					
kVA	RECTIFIER INPUT	BYPASS INPUT	DC INPUT	AC OUTPUT	PE
10	6 mm ²	4 mm ²	6 mm ²	6 mm ²	6 mm ²
20	16 mm ²	10 mm ²	16 mm ²	16 mm ²	16 mm ²

Condition	Revision	Date	Name	Status	---	---
			Design	ggrassi	27.02.08	
			Checked	---	---	

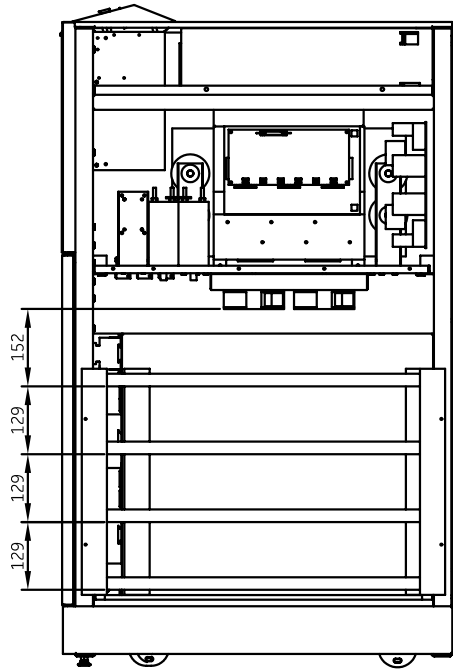
TERMINAL DETAIL

GE Consumer & Industrial SA
CH-6595 Riazzino Locarno

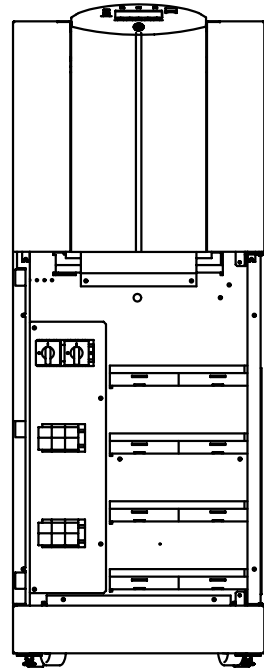
Digital Energy™ LP Series
10-20kVA CE

REPLACE	LP Series	
SERIES	5	332 343
		Pag. 1 6 Pag.

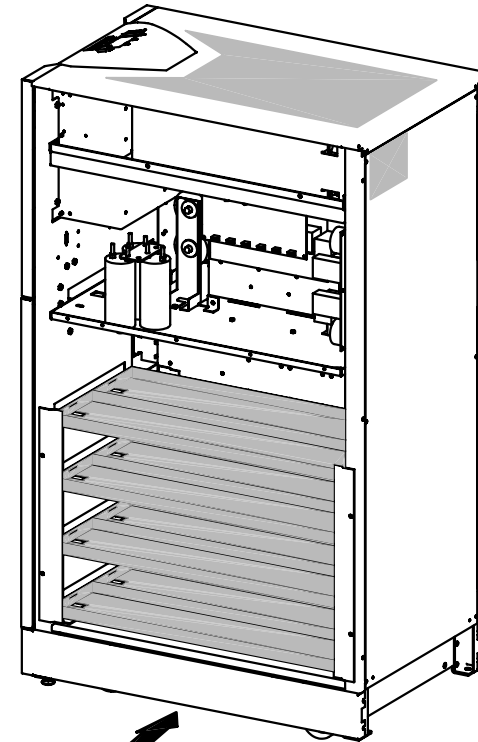
RIGHT VIEW WITH LATERAL SIDE COVER REMOVED



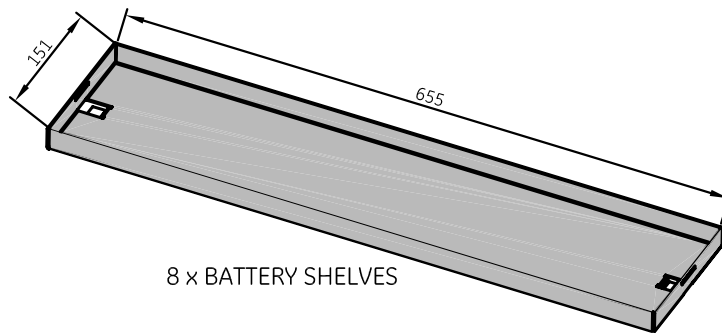
FRONT VIEW WITH SAFETY PANEL REMOVED



BATTERY ACCESS ONLY FROM THE RIGHT SIDE




BATTERY ACCESS ONLY FROM THE RIGHT SIDE

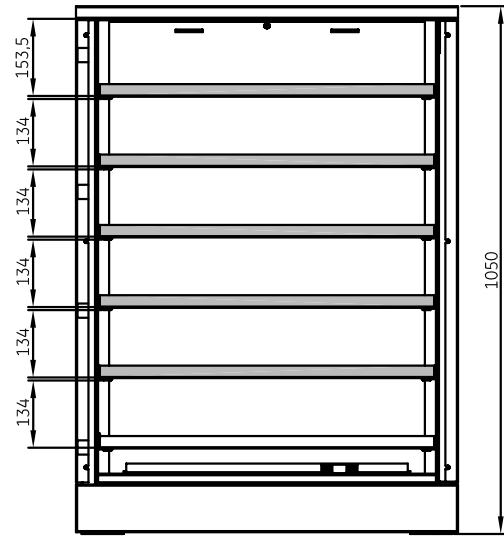


NOTE:
1) DIMENSIONS ARE IN MM

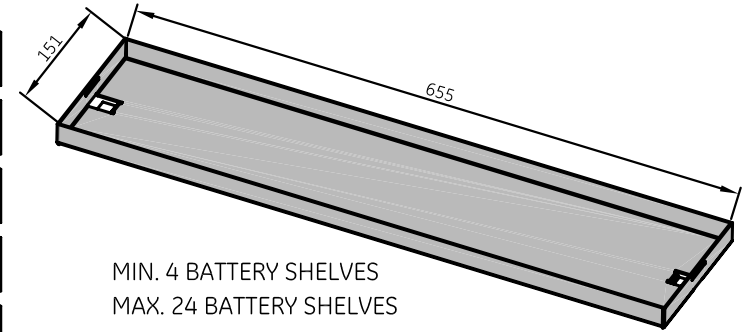
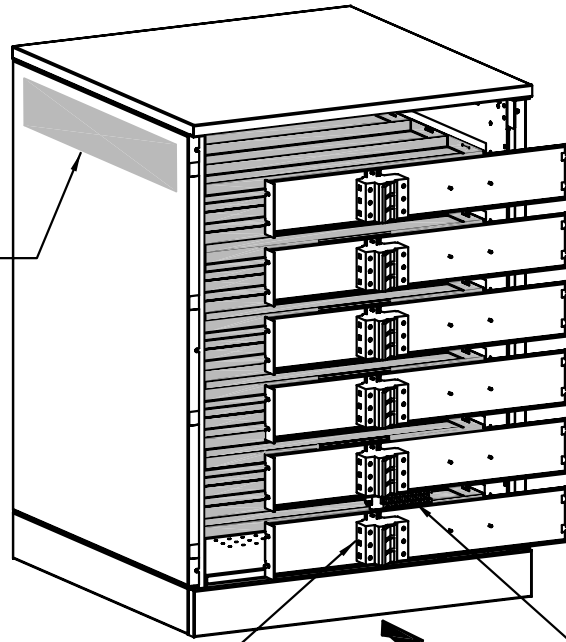
8 x BATTERY SHELVES

		Name		Date		UPS INTERNAL BATTERY		 GE Consumer & Industrial SA CH-6595 Riazzino Locarno		Digital Energy™ LP Series		REPLACE		LP Series		
		Design		Date						SERIES 5		332 343		Pag. 2		
		Checked		---		All rights for transmission, duplicating or reprinting reserved		CH-6595 Riazzino Locarno		10-20kVA CE		6		Pag.		
Condition	Revision	Date	Name	Status	---	---										

FRONT VIEW WITH SAFETY
PANELS REMOVED

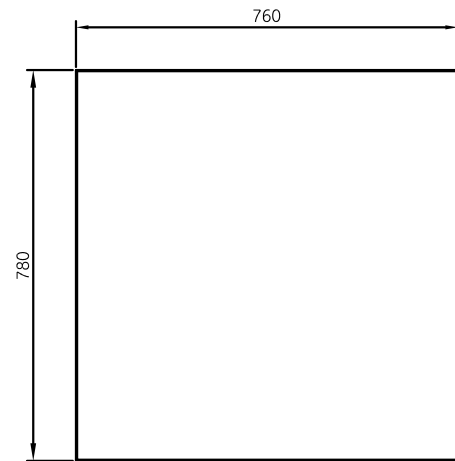


HEAT REJECTION

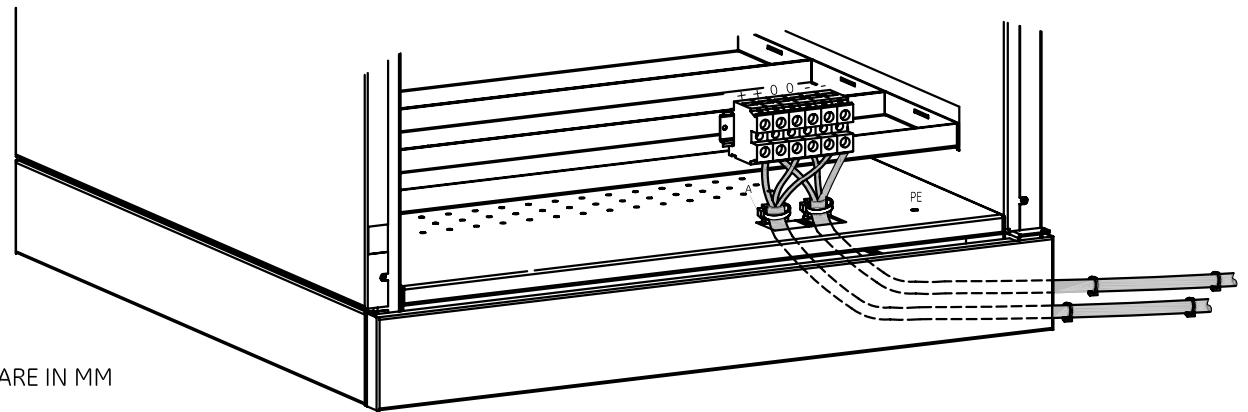


MIN. 4 BATTERY SHELVES
MAX. 24 BATTERY SHELVES

TOP VIEW



DETAIL TERMINAL BLOCK CONN.



NOTE:
1) DIMENSIONS ARE IN MM

				Name	Date
			Design.	ggrassi	27.02.08
			Checked	---	---
Condition	Revision	Date	Name	Status	---

EXTERNAL BATT. CAB.



GE Consumer & Industrial SA
CH-6595 Riazzino Locarno

Digital Energy™ LP Series
10-20kVA CE

REPLACE

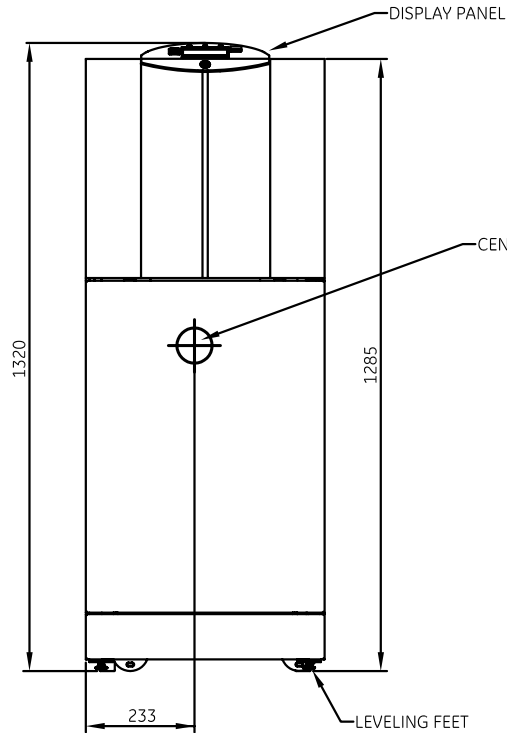
LP Series

SERIES 5

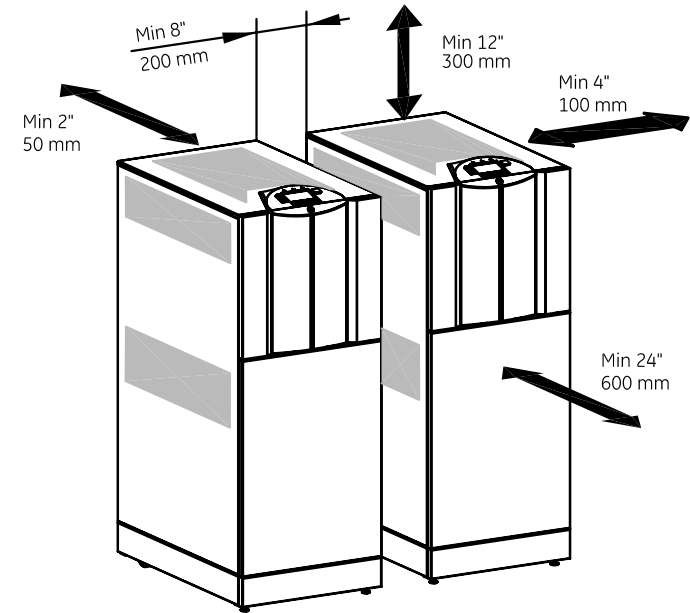
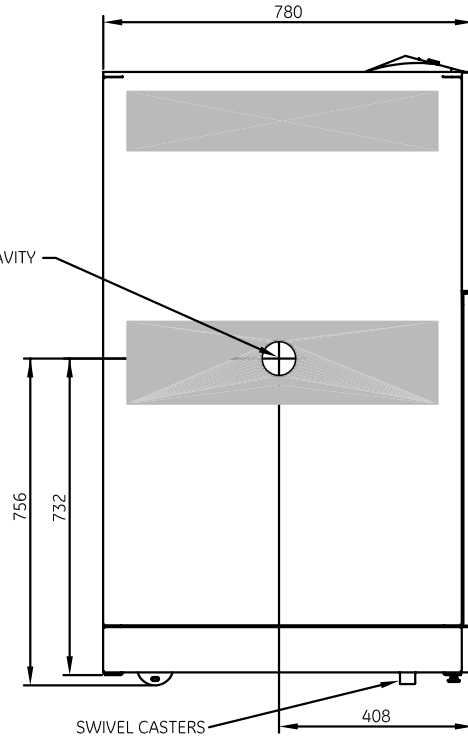
332 343

Pag. 3
6 Pag.

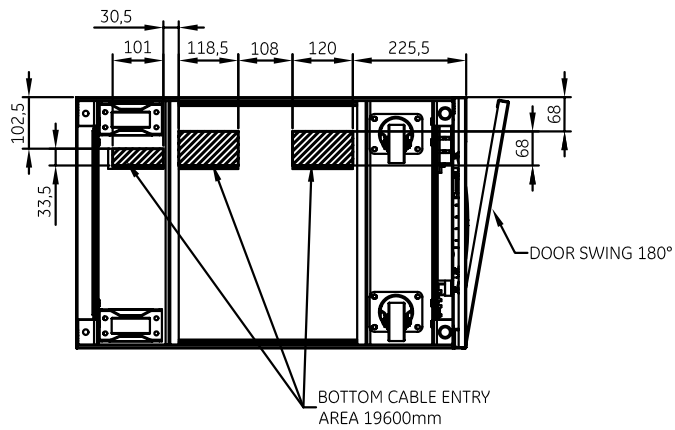
FRONT VIEW



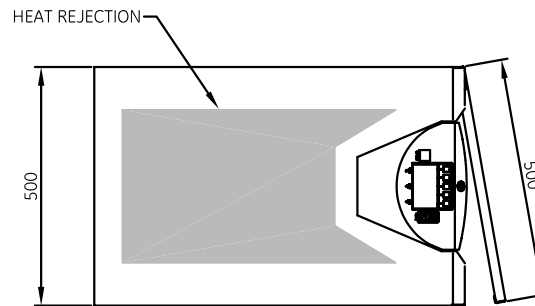
SIDE VIEW



BOTTOM VIEW



TOP VIEW



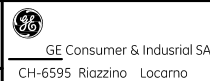
NOTE:

- 1) DIMENSION ARE IN MM
- 2) OPERATING TEMP. RANGE:
UPS: 0°C-40°C (32°F-104°F)
BATT.: 20°C-25°C (68°F-77°F)
- 3) FRONT AND SIDE ACCESS REQUIRED FOR SERVICE AND MAINTENANCE
- 4) DO NOT TILT UPS MORE THAN 10°
- 5) CENTER OF GRAVITY DIMENSIONS IS ESTIMATED. THE REAL CENTER OF GRAVITY IS ON THE CARTON PACKAGE

kVA	WEIGHT	HEAT REJECTION	FLOOR LOADING
10	140 kg	0,78 kW	359 kg/m ²
20	150 kg	1.47 kW	385 kg/m ²

Condition	Revision	Date	Name	Status	---	---
			Design	ggrassi	27.02.08	
			Checked	---	---	

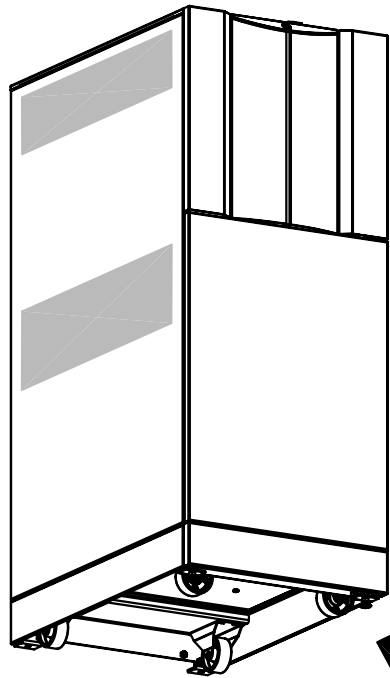
MECHANICAL OUTLINE



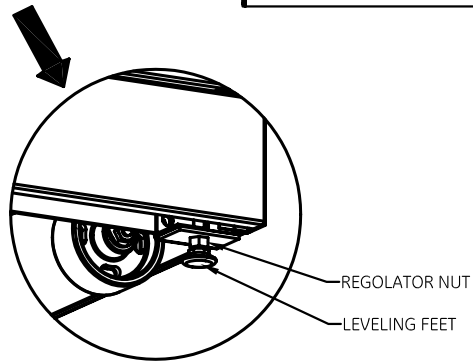
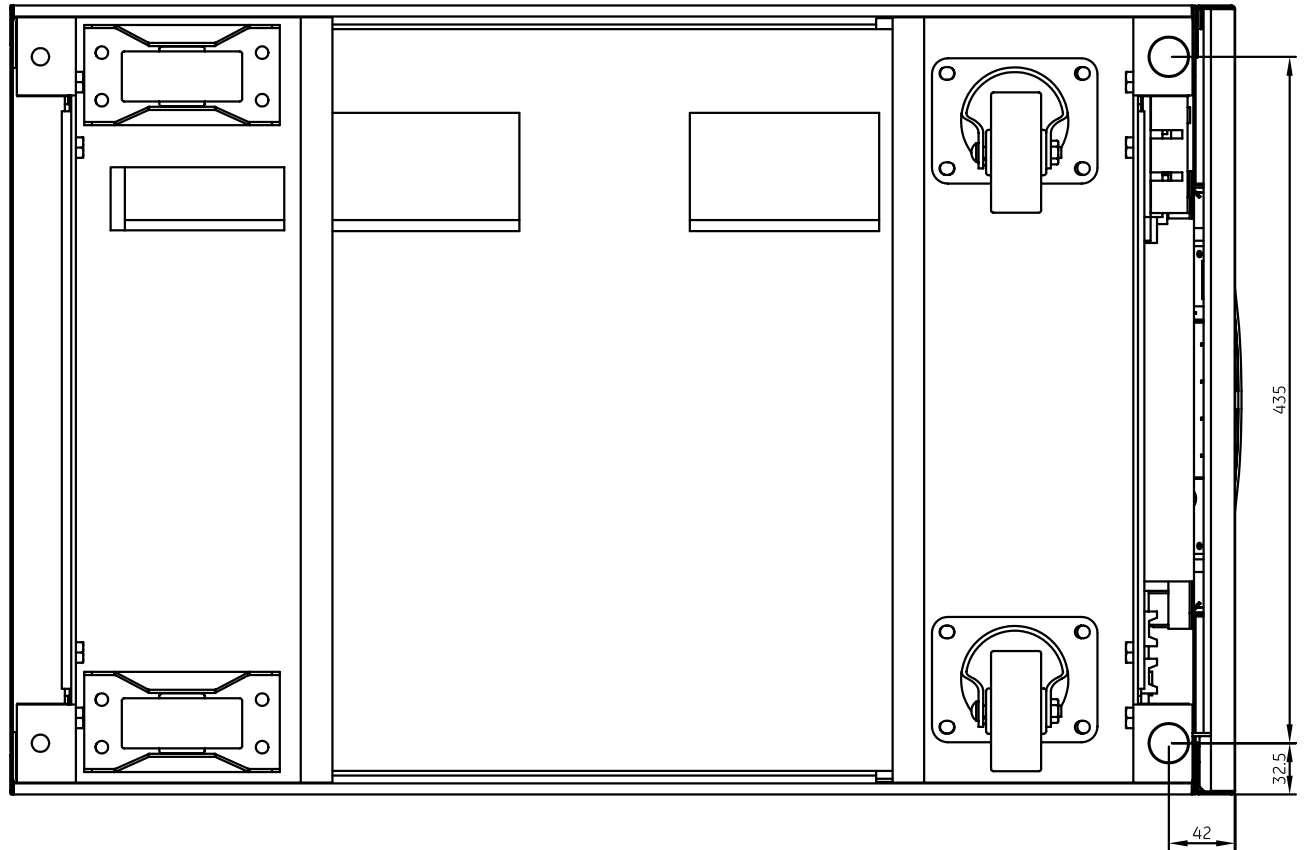
Digital Energy™ LP Series
10-20kVA CE

REPLACE	LP Series	
SERIES	5	332 343
		Pag. 4
		6 Pag.

BOTTOM VIEW SHOWING ANCHORING PROVISIONS



REAR SIDE



NOTE:

- 1) DIMENSIONS ARE IN MM
- 2) MAKE USE THE LEVELING FEET IF DESIRE TO BLOCK THE UPS
- 3) THE UPS WEIGHT REMAINS ON THE WHEELS AND NOT ON THE LEVELING FEET

				Name	Date
			Design.	ggrassi	27.02.08
			Checked	---	---
Condition	Revision	Date	Name	Status	---

ANCHORING DETAIL



GE Consumer & Industrial SA
CH-6595 Riazzino Locarno

Digital Energy™ LP Series
10-20kVA CE

REPLACE

LP Series

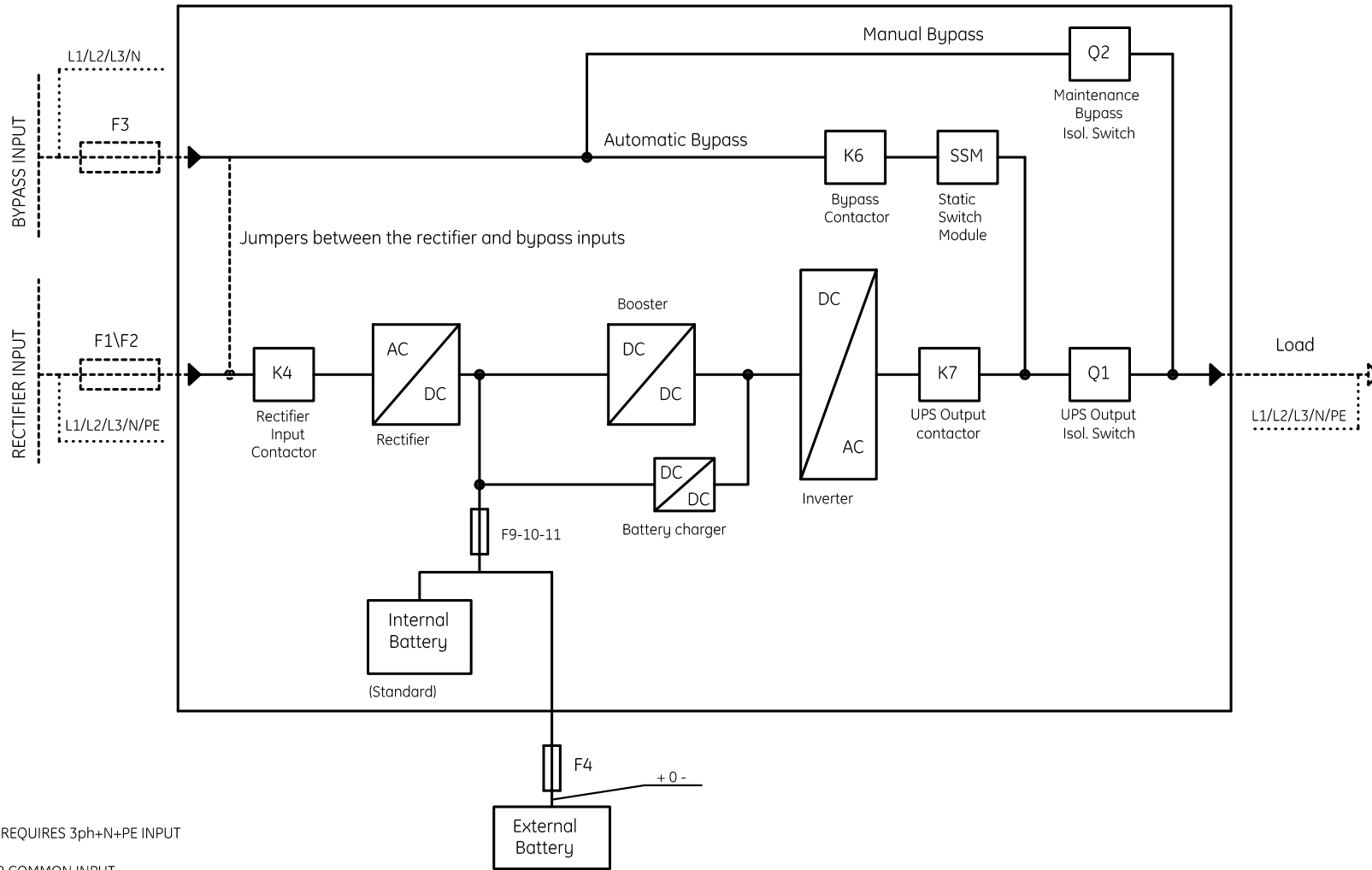
SERIES

5

332 343

Pag. 5

6 Pag.



NOTE:

- 1) BYPASS INPUT REQUIRES 3ph+N+PE INPUT
- 2) F1 IS ONLY FOR COMMON INPUT
F2 AND F3 IS ONLY FOR SEPARATE INPUT
- 3) UPS IS CONFIGURED FOR SINGLE INPUT AS STANDARD. UPS MAY BE CONFIGURED FOR DUAL INPUT BY REMOVING THE JUMPERS BETWEEN THE RECTIFIER AND BYPASS INPUTS. SEE INSTALLATION MANUAL FOR DETAILS.
- 4) BYPASS AND RECTIFIER INPUT MUST BE CONNECTED WITH CLOCKWISE PHASE ROTATION

Fuses (gL) or Circuit Breakers rating for AC input 3x380/220V, 3x400/230V, 3x415/240V				
UPS MODEL	AC INPUT	AC INPUT RECTIFIER	AC INPUT BYPASS	DC INPUT
	F1	F2	F3	F4
LP 33 SERIES / 10 kVA	3 x 25 A	3 x 25 A	3 x 20 A	3 x 25 A
LP 33 SERIES / 20 kVA	3 x 50 A	3 x 50 A	3 x 35 A	3 x 50 A

				Name	Date
				Design: ggrassi	27.02.08
				Checked: ---	---
Condition	Revision	Date	Name	Status	---

ELECTRICAL DETAIL



GE Consumer & Industrial SA
CH-6595 Riazzino Locarno

Digital Energy™ LP Series
10-20kVA CE

REPLACE	LP Series	
SERIES	5	332 343
		Pag. 6
		6 Pag.